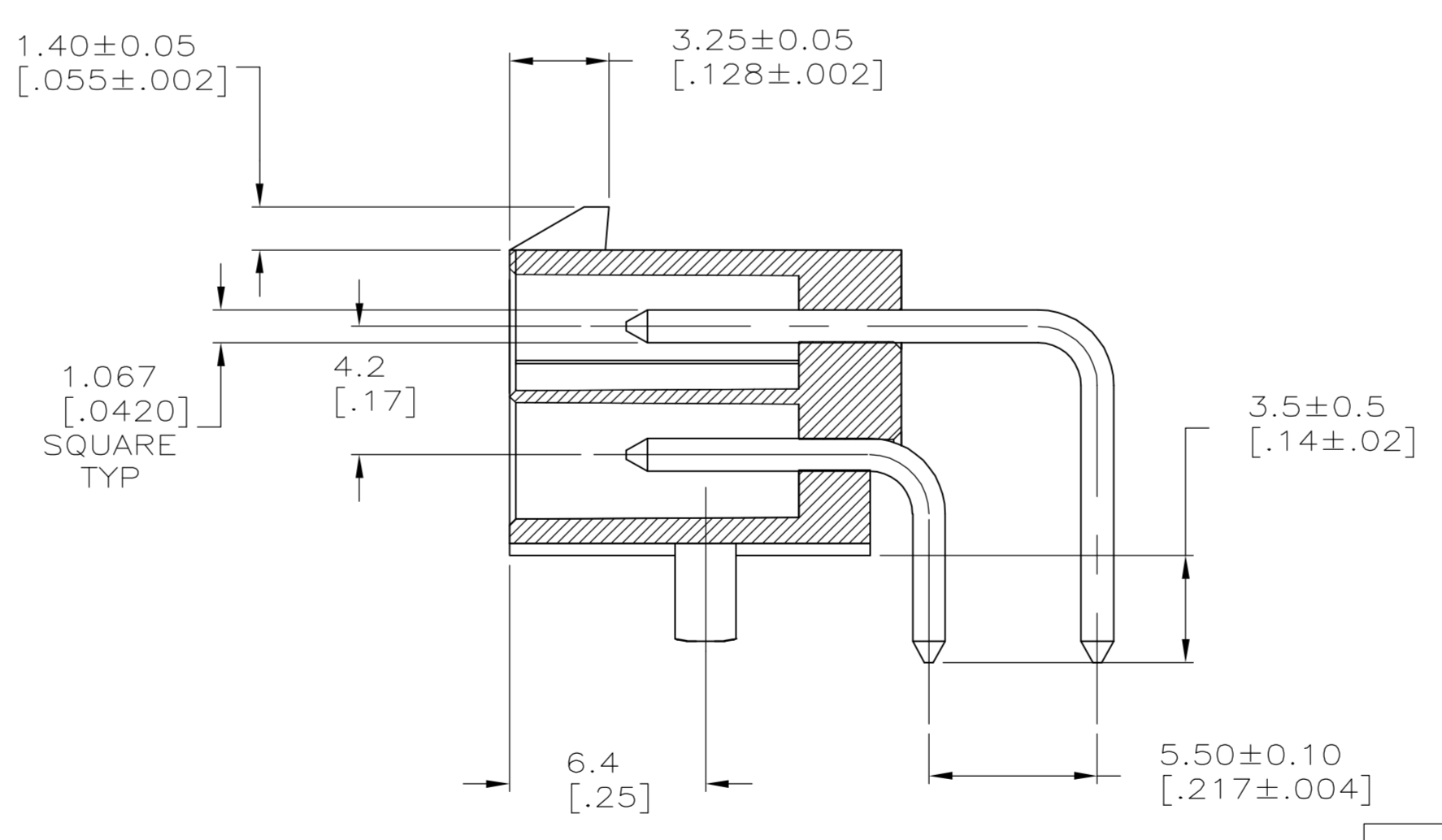
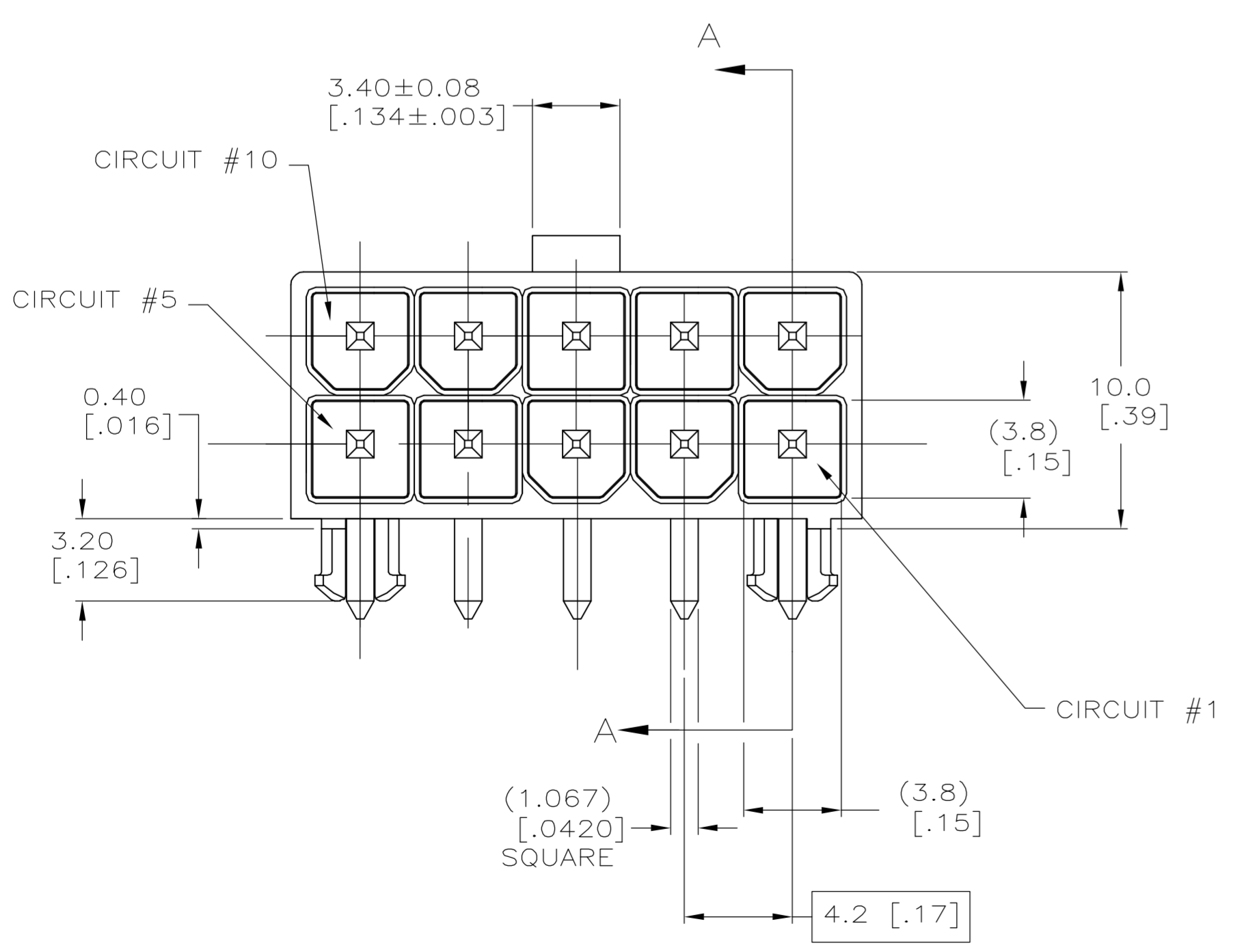
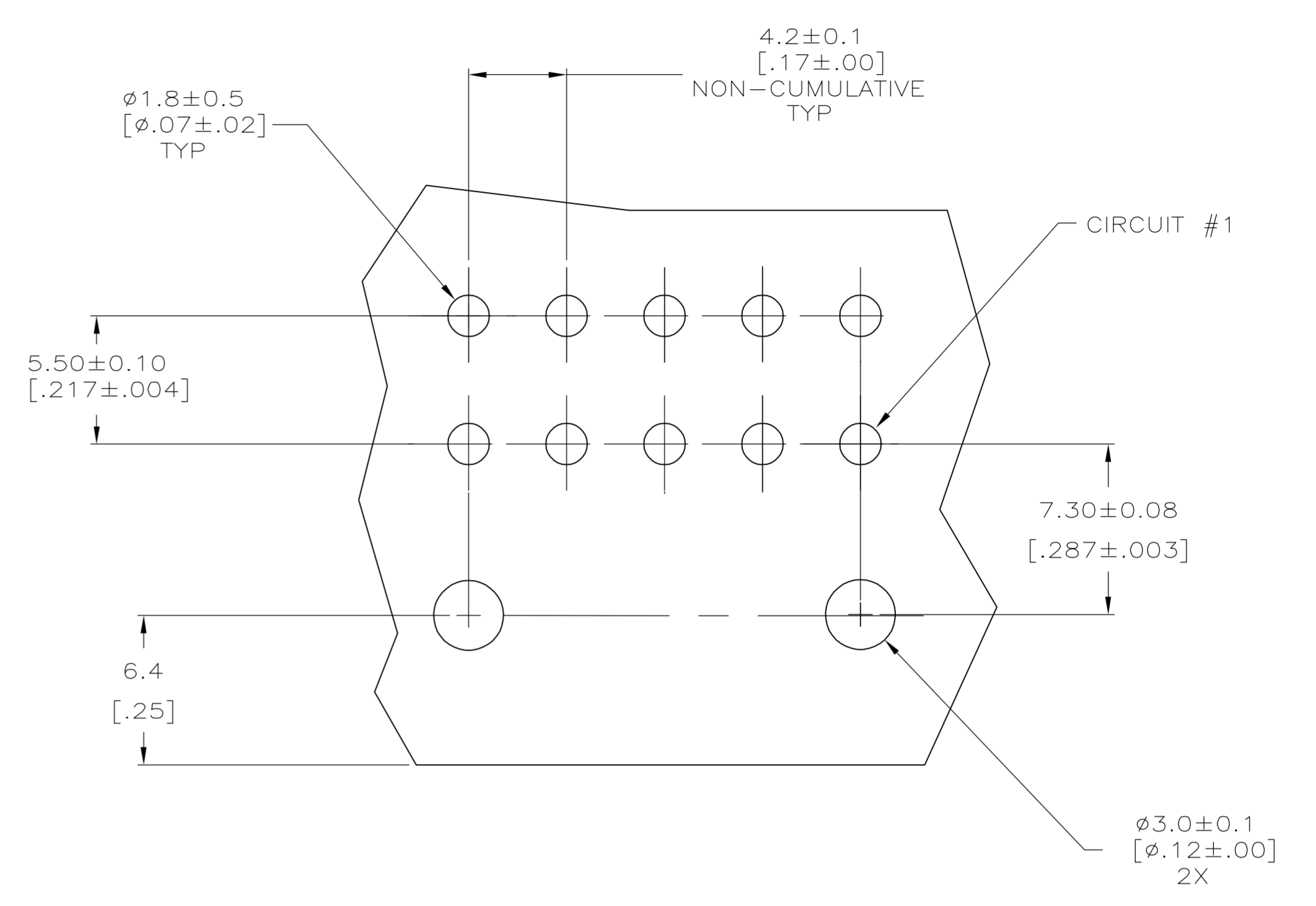
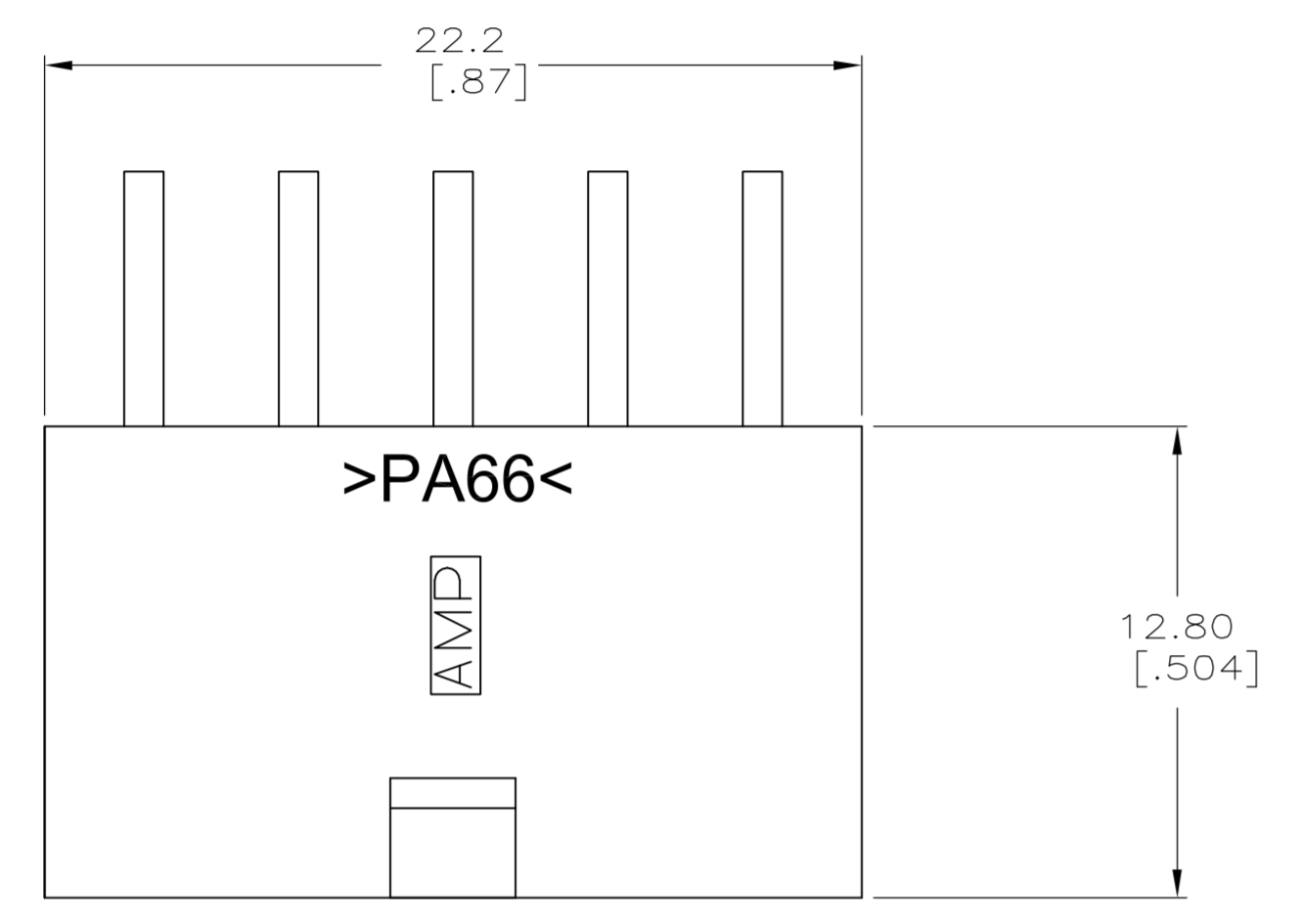


- 1 MATERIAL: HOUSING - NYLON, UL94V-2 (COLOR - NATURAL).
PIN - 1.067mm² [.0017in²] COPPER ALLOY.
- 2 PINS TO COMPLY WITH SOLDERABILITY SPEC 109-11-3.
- 3 0.00381 [.000150] MINIMUM TIN LEAD OVER 0.00127 [.000050] MINIMUM NICKEL, ENTIRE LENGTH OF PIN.
- 4 NOTE DELETED.
- 5 0.00381 [.000150] MINIMUM TIN OVER 0.00127 [.000050] MINIMUM NICKEL, ENTIRE LENGTH OF PIN.



SUPERSEDED BY 1-794510-1

1	5	1	1	1-794510-1
1	3	1	1	794510-1
MATERIAL	FINISH	MATERIAL	COLOR	
PIN		HOUSING		ASSEMBLY

METRIC

THIS DRAWING IS A CONTROLLED DOCUMENT.

DIMENSIONS: mm [INCHES]	TOLERANCES UNLESS OTHERWISE SPECIFIED:	DWN S. HOOVER 02-MAR-2005	APVD D. COLEY 02-MAR-2005	NAME	tyco Electronics	Tyco Electronics Corporation Harrisburg, Pa 17105-3608
0 PLC ± 0.2 [0.1]	1 PLC ± 0.13 [0.005]	PRODUCT SPEC	108-1646	ASSEMBLY, HEADER, RIGHT ANGLE, 10 POSITION, W/PEGS, 94V-2, AMP-DUAC™ POWER CONNECTOR		
1 PLC ± 0.2 [0.1]	2 PLC ± 0.13 [0.005]	APPLICATION SPEC	114-6067	SIZE	A1	RESTRICTED TO
2 PLC ± 0.2 [0.1]	3 PLC ± 0.13 [0.005]	WEIGHT	00779	CAGE CODE	794510	
3 PLC ± 0.2 [0.1]	4 PLC ± 0.13 [0.005]	CUSTOMER DRAWING		SCALE	5:1	SHEET 1 OF 1
4 PLC ± 0.2 [0.1]	ANGLES ± 0° 30'			REV	D	